

New!

# MA0-3 Cab Guard & PAC Smart Control

The new generation of BMAir products for optimal safety



New in the BMAir collection are the MA0-3 Cab Guard with PAC Smart Control. Specially designed for the increasing demand for compact and smart systems. Under the modern, robust, plastic housing is a uniquely shaped self-cleaning HEPA filter with incomparable capacity. A compact, full carbon filter can also be installed within this unique concept. The new dimensions generate a filter contact time that is superior to the current products in the market. Hazardous substances and vapors do not stand a chance! The MA0-3 Cab Guard comes standard with the new PAC Smart Control. All data can be read clearly on the 3.5' high resolution LCD

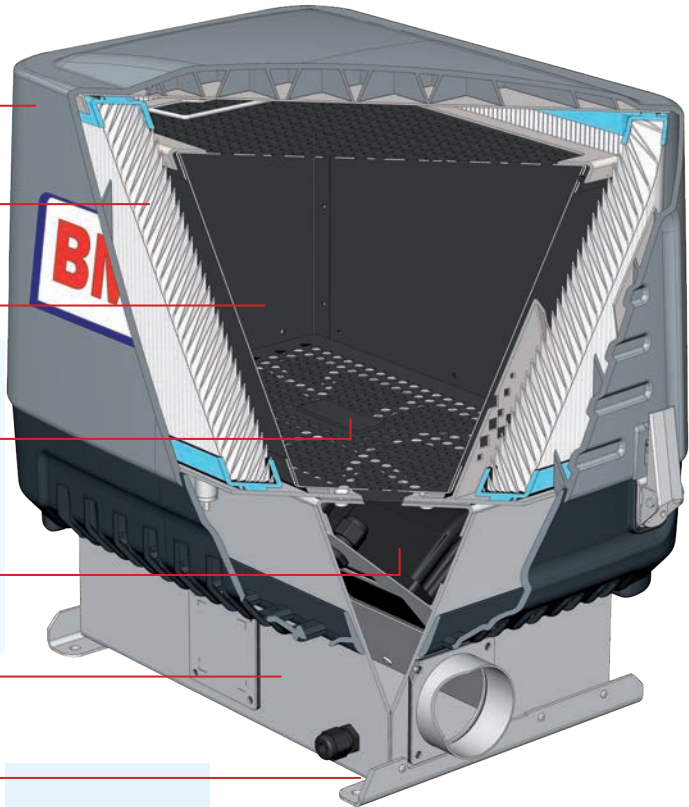
display. With fully automatic filter communication and intuitive operation, the operator can easily send all relevant information via QR code with their own smartphone to the safety manager, project manager or employer. Filter types, serial numbers and events are continuously monitored and securely stored in the standard datalogging module. The PAC Smart Control is IoT ready, which also allows real-time data transfer.

With the new generation of BMAir products, you can manage your supply of filtered cabin air without difficulty or worry!

**BMAIR**  
clean cabin air

# MAO-3 Cab Guard

- Robust plastic finish
- Self-cleaning angleless HEPA filter
- Full-fledged integral carbon filter with high contact time
- Filter information and hour readings through proven RFID
- Longlife brushless digital fan motor
- Durable stainless steel chassis
- Easy mounting due to compact base plate



# PAC Smart Control



- Easy to install high-quality sensitivity air quality sensor
- IoT ready, prepared for the real-time future
- Easy operation
- Maximum security through integrated data logging
- Easy to read colour screen with automatic day, night mode
- Maintenance messages with QR code generator
- Wide data possibilities through digital Rx / Tx connection



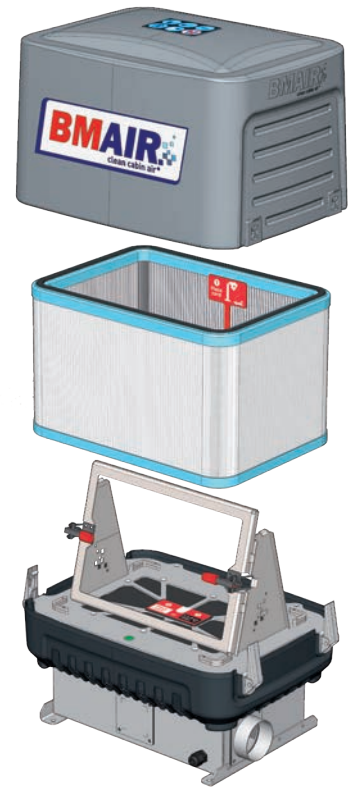
Easily order filters



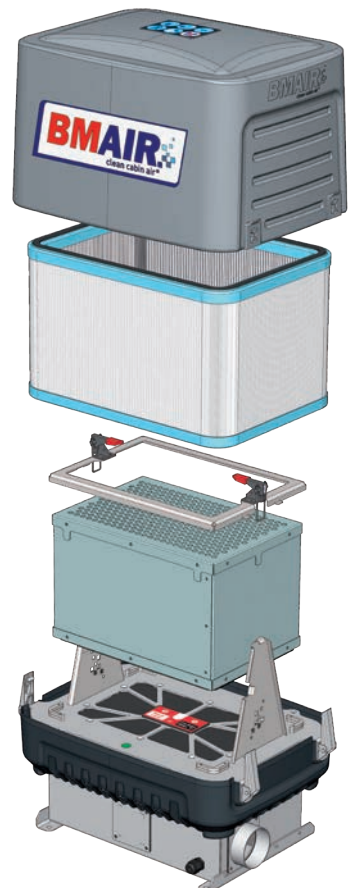
Forward system information and events

# MAO-3 Cab Guard Combi Filters

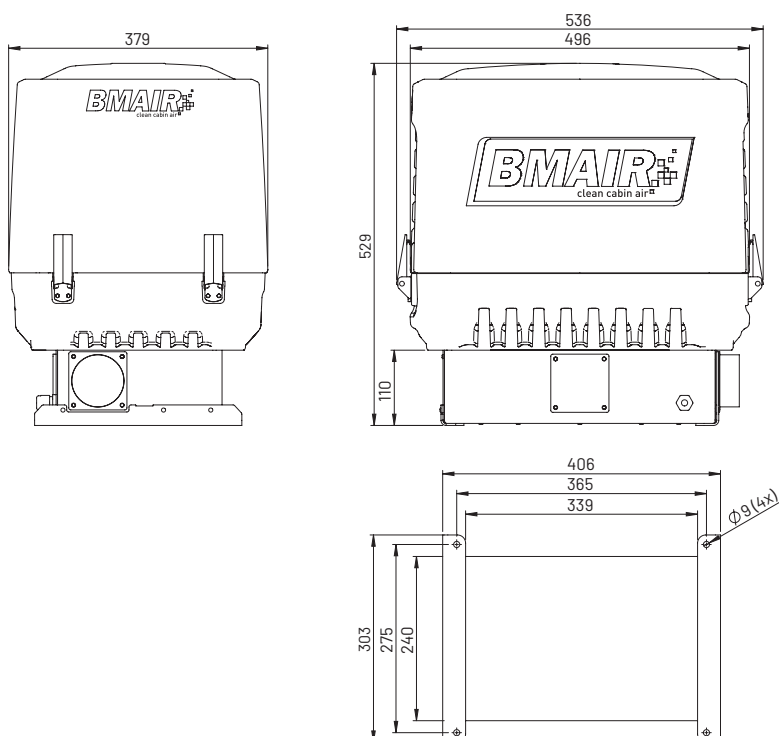
Dust combination:	Type	Art. nr.
<b>Asbestos</b> Toxic particulate matter, asbestos silica dust and heavy metals. Efficiency > 99.95%	<b>P1-P3/H13</b>	<b>125320</b>
<b>Active carbon combinations:</b>	<b>Type</b>	<b>Art. nr.</b>
<b>Benzene</b> Vapours from solvents and hydrocarbons (e.g. diesel)	<b>P1-P3/H13-A</b>	<b>125310</b>
<b>Dredging</b> Vapours from dredging spoil such as bacteria, toxic particulate matter, heavy metals and H <sub>2</sub> S	<b>P1-P3/H13-ABE</b>	<b>125340</b>
<b>ABE/K</b> Vapours such as H <sub>2</sub> S and ammonia. (caution: not for use with cyanides such as HCN)	<b>P1-P3/H13-ABE-K</b>	<b>125345</b>
<b>ABEK</b> Vapours from cocktail of toxic substances. In accordance with EN14387	<b>P1-P3/H13-ABEK</b>	<b>125350</b>
<b>Ammonia/Organic waste</b> Vapours from waste and composting such as spores, bacteria, viruses, organic and ammonia	<b>P1-P3/H13-A-K</b>	<b>125360</b>
<b>AX</b> Vapours from solvents and hydrocarbons with boilingpoint < 65°C	<b>P1-P3/H13-A-AX</b>	<b>125370</b>



MAO-3 Cab Guard asbestos combination



MAO-3 Cab Guard active carbon combination





# Facilitating health is our goal

For 25 years, our goal has been to provide them with the cleanest air possible at all times, every minute and every second of their workday. We never compromise when it comes to breathing air; after all, it is our human right.

The integrity of us as an organisation depends on the quality of our products. Therefore, it is of the

utmost importance that our pressurised filter systems are of the highest standard. Only then can we achieve our goals: "the cleanest air possible for every machine operator who works in a polluted (mobile) work environment".

As the market leader in the pressurised filter systems market, we are getting closer to our objective

every day. Many operators are already working with our pressurised filter systems.

Yet, there is still a long way to go. Too many employers, commissioning parties and machine operators can be light-hearted about the long term health risks. A good protection should be common practice.



**Clean air in your cabin is of vital importance!**



**BMAir International B.V.**

Kuiper 15 | 5253 RJ Nieuwkuijk | The Netherlands  
T. +31 416 34 00 16 | sales@bmair.com  
www.bmair.com

**BMAIR.**  
clean cabin air